

DHI-ASR2100H

Access Reader



- Card unlock.
- RS-485 and Wiegand 34 communication (Wiegand-26 can be customized).
- Prompts using the buzzer and indicator light.
- Tamper alarm.
- Watchdog monitors and controls the device when it behaves abnormally, performing recoveries when necessary to ensure the long-term operation of the device.
- All the connection ports have overcurrent and overvoltage protection.
- IP66 rated.

Technical Specification

System

OSDP Protocol	Yes
---------------	-----

Basic

Product Type	Card reader
--------------	-------------

Buzzer	Yes
--------	-----

Casing Material	PC + ABS
-----------------	----------

Function

Unlock Mode	Card
-------------	------

Card Type	IC card
-----------	---------

Performance

Response Time	0.1 s
---------------	-------

Card Reading Distance	0 cm–8cm (0"–3.15")
-----------------------	---------------------

Port

RS-485	1
--------	---

Wiegand	1 channel output
---------	------------------

Alarm

Tamper Alarm	Yes
--------------	-----

General

Power Supply	12 VDC, 0.5 A
--------------	---------------

Protection	IP66
------------	------

Power Consumption	≤ 0.48 W (standby), ≤ 1.2 W (working)
-------------------	---------------------------------------

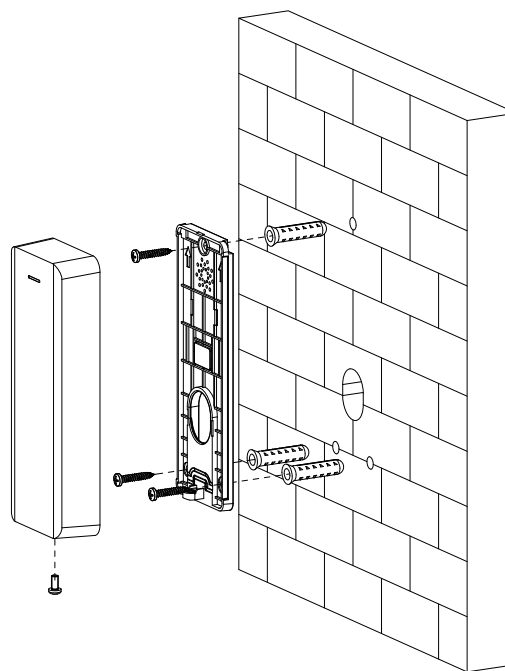
Product Dimensions	127 mm × 46 mm × 20 mm (5.00" × 1.81" × 0.79")
--------------------	--

Packaging Dimensions	139 mm × 73 mm × 48 mm (5.47" × 2.87" × 1.89")
----------------------	--

Operating Temperature	–30 °C to +70 °C (–22 °F to +158 °F)
-----------------------	--------------------------------------

Operating Humidity	≤ 95% (RH)
Operating Environment	Outdoor
Gross Weight	104 g (0.23 lb)
Installation	Surface Mount

Installation



DHI-ASR2100H

Dimensions (mm[inch])

